



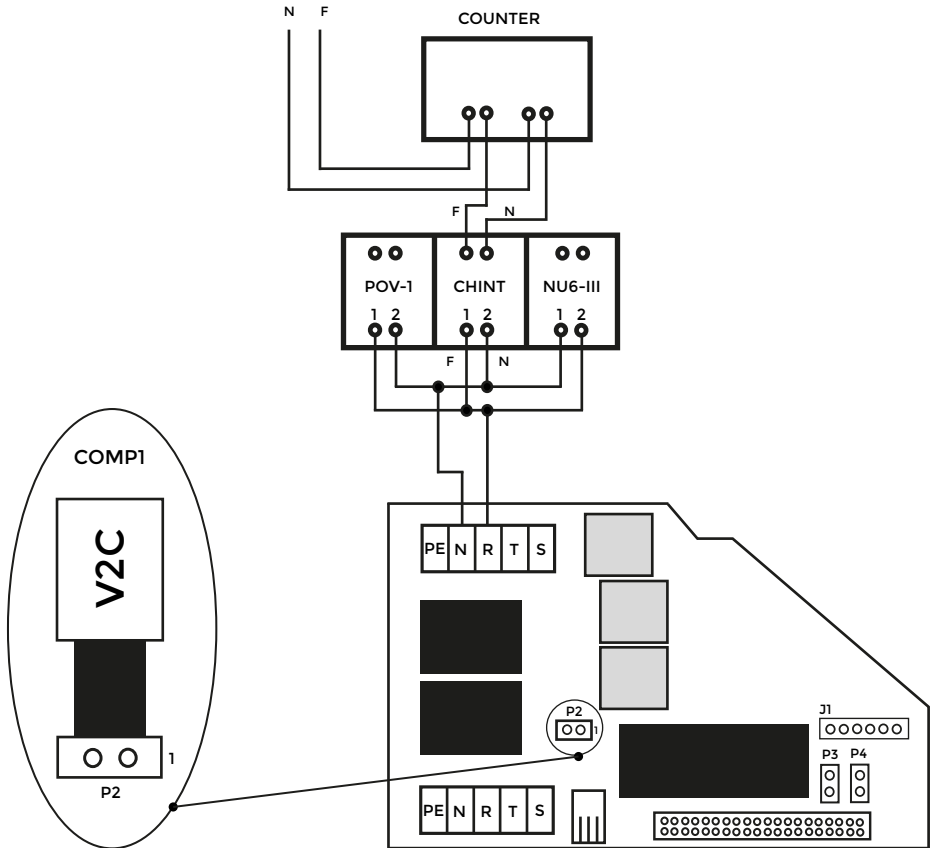
# ~~INFINITE IMPEDANCE CONNECTION MANUAL~~

TRYDAN

## INFINITE IMPEDANCE

Trydan e-Charger, in its version with protections included, has infinite impedance (or zero impedance), a technology developed by V2C that allows the meter not to detect the charging point. Therefore, in the event of a power cut, it is possible to reset the installation only by lowering and raising the home's general automatic switch.

The infinite impedance developed by V2C is compatible with **Landis Gyr, Iberdrola, ZiV y Gridspertise** meters.



Component "COMP1" is connected to connector P2 as shown in the picture.

The number 1 of component "COMP1" must correspond to the number 1 of connector P2.

The component "POV-1" must be connected as shown in the picture, i.e. the phase (F) must be connected to connection 1 and the neutral (N) must be connected to connection 2.

# CHARGING UP

---

YOUR TOMORROW